

MSP 221

EDID Manager



In modern digital video, Extended Display Identification Data (EDID) allows display devices to describe specification information to the video source equipment. Using MSP221 can resolve and prevent a number of EDID related issues, ensuring the expected output from a video source device by broadcasting a consistent EDID, even when display devices are switched, re-plugged or re-powered.

Additionally MSP221 features HDCP tools resolving potential conflict situations when video is output to DVI or VGA equipment.

Connect

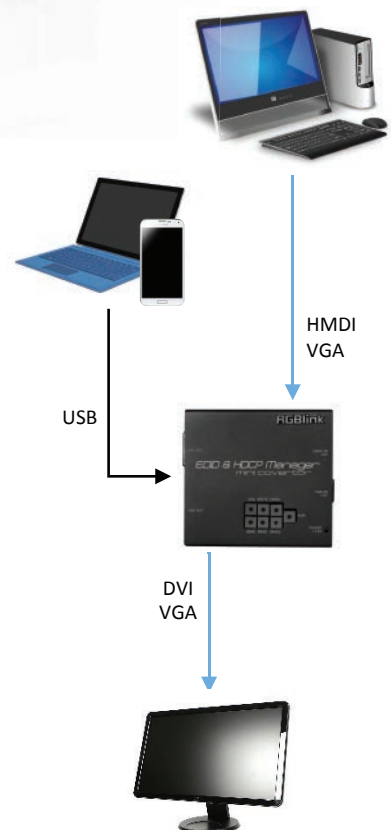
Connect MSP 221 between video source and display device. Input source can be HDMI or VGA (RGBVH). Output to display device is DVI or VGA.

Set

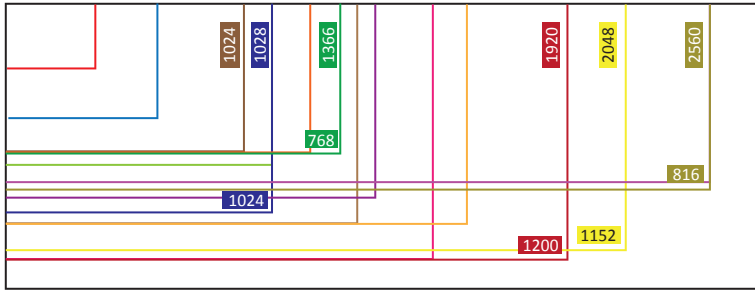
Capture and store EDID information from Display Device for use, or enter and set EDID from the keypad.

Control

RGBlink uniquely provides an Android app for set EDID. Connect MSP221 to an Android device by USB, and configuration is easy with now familiar touch and graphical controls. Additionally Windows® software is also available for USB connection.

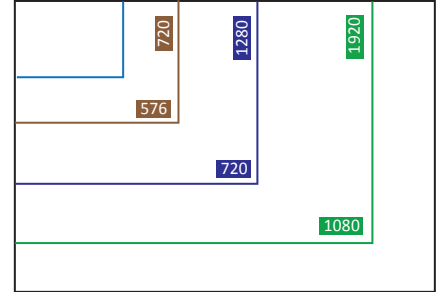


VESA Resolutions



- 640x480@60/75/85
- 800x600@60/75/85
- 1024x768@60/75/85
- 1028x1024@60/75/85
- 1028x800@60
- 1360x768@60
- 1366x768@60
- 1400x1050@60
- 1440x900@60
- 1600x1200@60
- 1680x1050@60
- 1920x1200@60
- 2048x1152@60
- 2560x812@60
- 2560x816@60

SMPTE Resolutions



- 487i@60
- 576i@50
- 720P@23.98/24/25/29.87/30/50/59.94/60
- 1080P@23.98/24/25/29.87/30/50/59.94/60
- 483P@60
- 576P@50

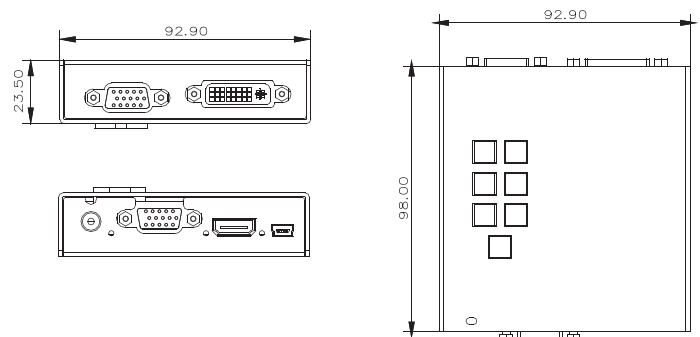
Specifications

Features	EDID	Yes
	HDCP	Yes
	Remote App	Android, Windows
	Interface	7 Buttons with LED lamp
	Security	Hole for lock/latch
Performance	Input Resolution	HDMI: SMPTE: 625@25/50 PAL 525@29.97/59.94 NTSC 720p@50/59.94/60 1080p@50/59.94/60 1080i@50/59.94/60 VESA: 800x600@60 1024x768@60 1280x768@60 1280x1024@60 1600x1200@60 1920x1080@60
	Output Resolution	Select from standard set or select user configurable SMPTE: 625@25/50 PAL 525@29.97/59.94 NTSC 1080p@50/59.94/60 1080@i50/59.94/60 720p@50/59.94/60 1280x720@23.98/24/25/29.97/30 1920x1080@23.98/24/25/29.97/30 VESA: 800x600@60 1024x768@60/75/85 1280x720@50/60 1280x800@60 1280x1024@60 1360x768@60 1366x768@60 1400x1050@60 1440x900@60 1600x1200@60 1680x1050@60, 1920x1080@60 1920x1200@60 2048x1152@60 2560x816@60
	Refresh Rates	23.98 29.87 30 59.97 60 75
	Standards Supported	VGA: VGA-UXGA HDMI: 1.4
Connectors	Video Input	1 x HDMI 1 x DB-15 (VGA)
	Output	1 x DVI 1 x DB-15 (VGA)
	Remote Control	USB mini-B
	Power	5.4mm DC Socket
Power	Input Voltage	12V DC (via universal Plug Pack)
	Max Power	0.5A
Operation	Temperature	0-45°C
	Humidity	10-85% RH
Physical	Weight	0.18kg (nett) 1.6kg (packaged)
	Dimensions	98 x 92.9 x 23.5mm (device) 140 x 140 x 70mm (packaged)

Order Codes

Product Code	Item
650-0221-01-0	MSP 221 EDID Manager

Dimensions



HDMI™ HDCP™

WEB: www.rgblink.com EMAIL: sales@rgblink.com PHONE: +86 592 5771197
Proudly designed and manufactured in **Xiamen Hi Technology Zone, China**

RGBlink™