

# HDMI Input Module



## Key Features

- Four independent HDMI input
- All standard HDMI 1.3 input resolutions supported
- Support resolution up to 2048x1152@60
- Hot swappable into X2 devices

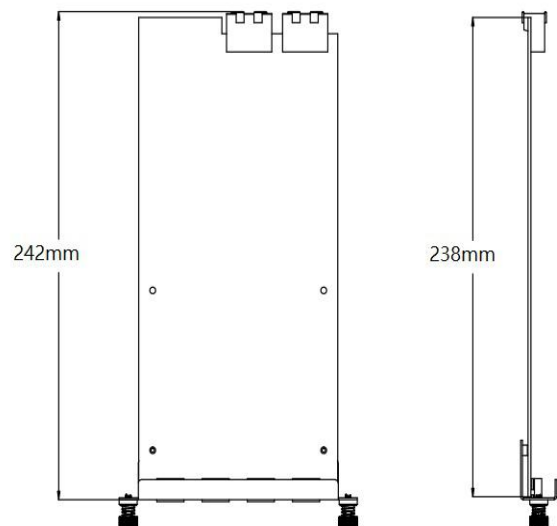
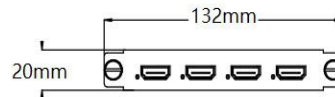
## Specification

<b>Connectors</b>	Input	4xHDMI-A
<b>Performance</b>	Input Resolutions	SMPTE 480i   576i   720p@50/59.94/60   1080i@50/50.94/60   1080p@ 50/50.94/60
		VESA 800x600@60   1024x768@60   1280x768@60   1280x1024@60   1600x1200@60   1920x1080@60   2048x1152@60
<b>Physical</b>	Supported Standard	1.3
	Weight	0.215kg
	Dimension	242x132x20mm

## Order Codes

Product Code	Item
190-0002-02-2	Quad HDMI Input Module

## Dimensions



## Compatibility

This module may be used in the following products

Product Code	Item
310-0002-01-0	X2

