

RMS 1A Quick Start



- Compact size for versatile mounting
- Display 2K resolutions
- Auto detect a wide range of resolution
- DVI input and loop
- Preview media file from USB
- Range of mounting accessory options

CONTENT

Product Introduction	2
Packing Configuration	4
Hardware Orientation	5
Front Panel.....	5
Back Panel.....	6
Mounting Accessory Installation	7
Table Stand Installation.....	7
19 Inch Bracket Installation.....	8
Contact Information	9

Product Introduction

RMS 1A is a 8.4" independent LCD monitor, with various mounting accessory options, users can freely combine different numbers of displays.

Each RMS 1A is board with 1x DVI In, compatible with VGA and CVBS via adapter, 1 x DVI Loop which offers signal exactly the same as IN, 1 x USB which allows to preview media files from USB disk.

RMS 1A detects the input source automatically when it is powered on. Once the supported input signal including DVI,VGA,CVBS and USB is detected, it displays the input.

Desktop version



RMS 1A with desktop accessory

Single monitor desktop set Order Code: 410-8424-05-0

Rack mount version



2 pcs RMS 1A in 19 inch rack accessory

Dual monitor rack set Order Code: 410-8424-04-0

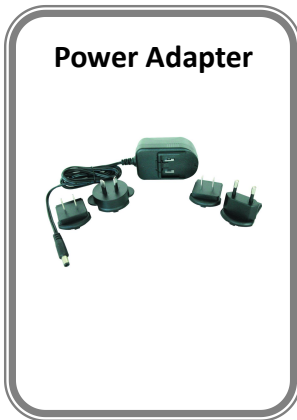
System Connection

RGBlink video processing solutions provide a range of flexible configuration options for professional applications.



RMS 1A System Connection Diagram

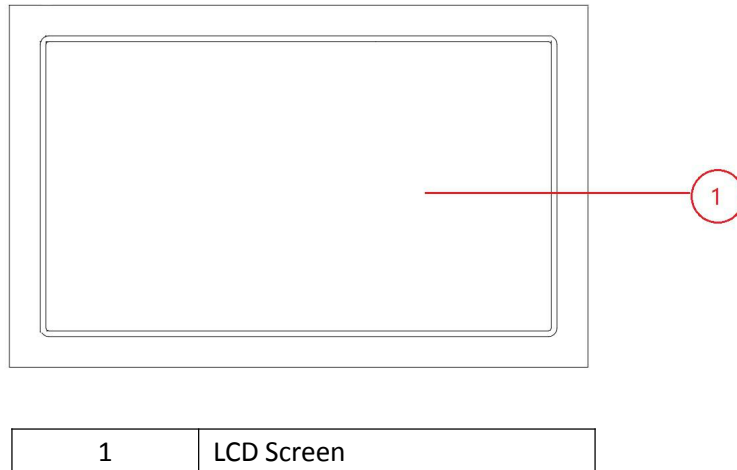
Packing Configuration



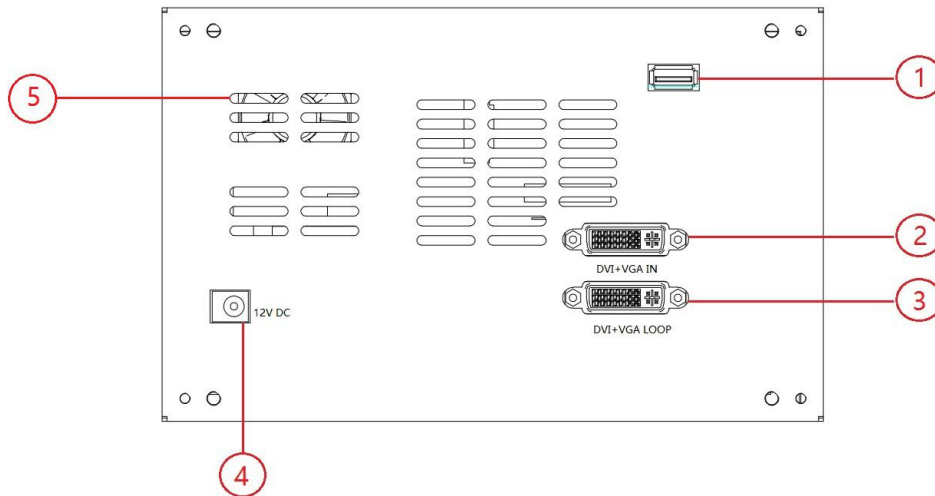
Note: the power adapter is plug interchangeable

Hardware Orientation

Front Panel



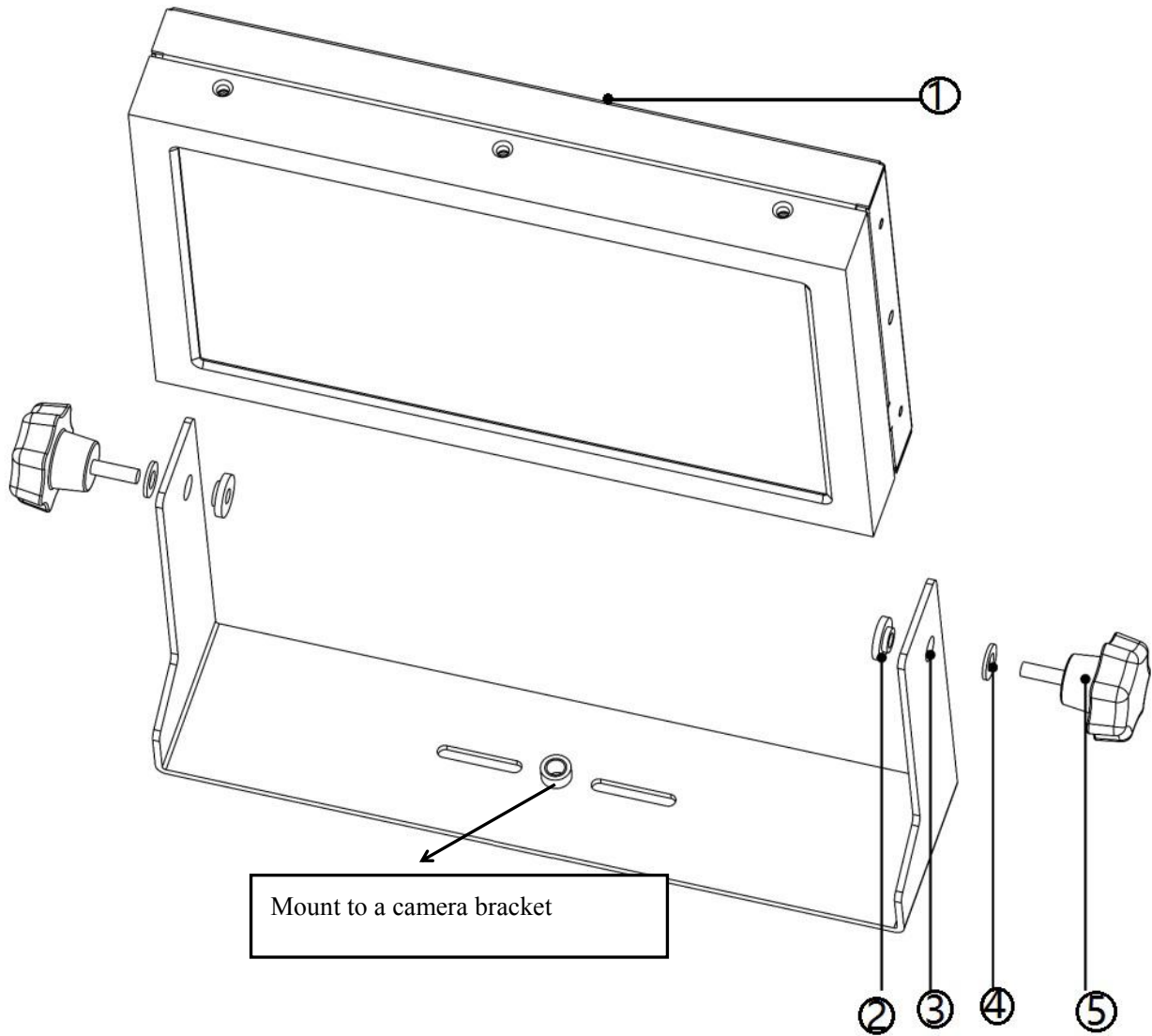
Back Panel



1	USB Port
2	DVI+VGA IN connect to the output of media device or processor
3	DVI+VGA LOOP Connect to the input of processor or next RMS 1A
4	12V DC Power connector
5	Cooling Fan

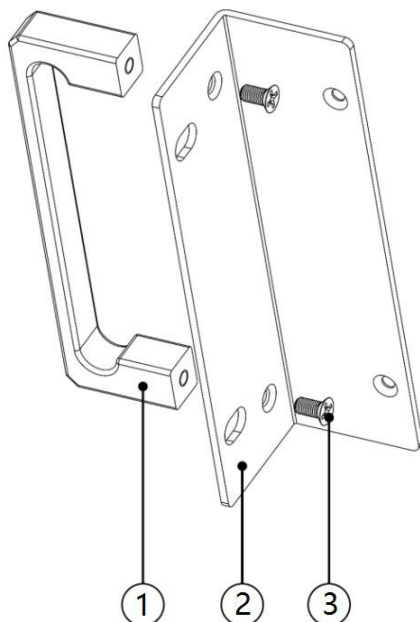
Mounting Accessory Installation

Table Stand Installation

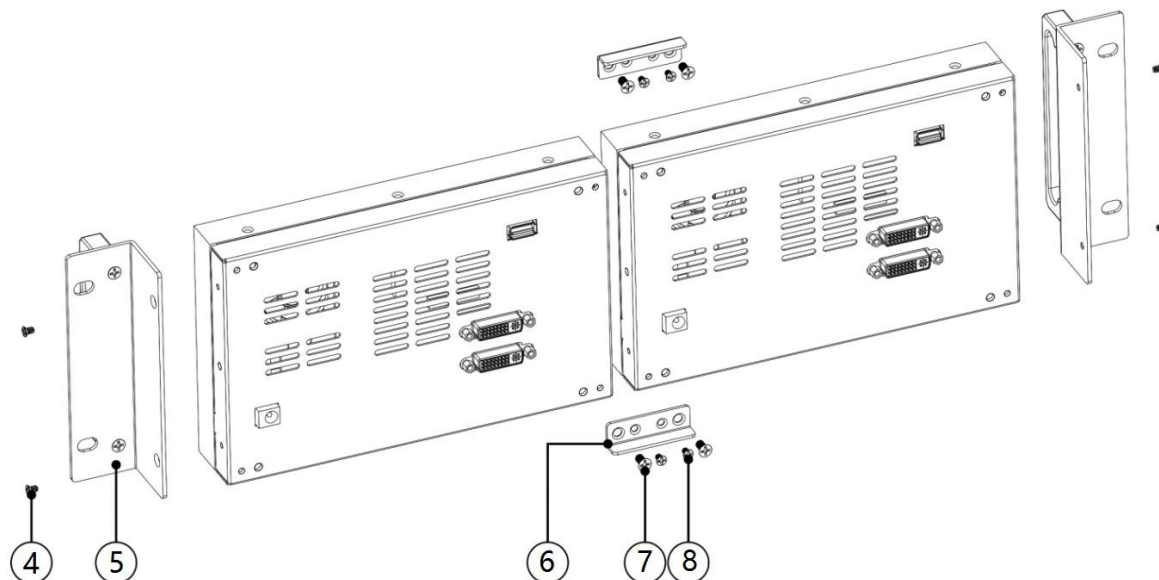


1. Insert the T-type nylon gasket (2) into the stand (3) hole.
2. Mount RMS 1A (1) to the table stand.
3. Insert the gasket (4) and tighten the inclination screw (5)
4. You can mount the table stand to a traditional camera.

19 Inch Bracket Installation



1. Use the M4*8 screws to attach the handle (1) and the rack (3)



2. Connect 2 RMS 1A by means of the attachment bracket (6) on top and the bottom. Use the screws M4*8 (7) and M3*5 (8) to fix the bracket.

3. Use the remaining screws M3*5 (4) to attach the handle (5) to RMS 1A.

Contact Information

Warranty:

All video products are designed and tested to the highest quality standard and backed by a full 3 years parts and labor warranty. Warranties are effective upon delivery date to customer and are non-transferable. RGBlink warranties are only valid to the original purchase/owner. Warranty related repairs include parts and labor, but do not include faults resulting from user negligence, special modification, lighting strikes, abuse(drop/crush), and/or other unusual damages.

The customer shall pay shipping charges when unit is returned for repair.

Headquarter: S601~609 Weiye Building Torch Hi-Tech Industrial Development Zone
Xiamen, Fujian Province, P.R.C

- **Tel:** +86-592-5771197
- **Fax:** +86-592-5788216
- **Customer Hotline:** 4008-592-315
- **Web:**
 - ~ <http://www.rgblink.com>
 - ~ <http://www.rgblink.cn>
- **E-mail:** support@rgblink.com