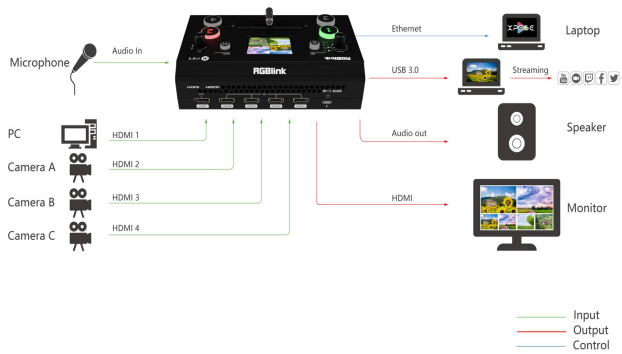




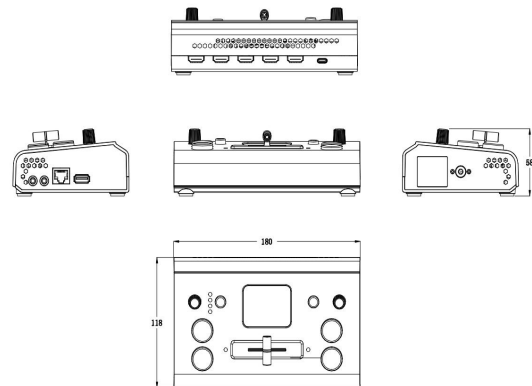
Key Features

- 4 HDMI inputs, 1 HDMI output
- 6 images multi-view, switch between preview and program
- 2.1 in TFT full color screen
- Support MIC and LINE audio input, multi-channel mix audio
- Image scaling & cropping
- Support PIP,PBP
- Support T-Bar switch
- 6 transition effects
- LOGO overlay
- Support PC and APP control
- Optimized heat management and dissipation
- Integrated design, easy to carry

Application



Dimension



Order Code

Order Code	Item
230-0001-03-0	mini

Tel: +86-592-5771197 Fax: +86-592-5788216 E-mail: sales@rgblink.com

Headquarter: Room 601A, No. 37-3 Banshang community, Building 3, Xinke Plaza, Torch Hi-Tech Industrial Development Zone, Xiamen, China

Specifications are correct at time of printing and subject to change or alteration without notice!



www.rgblink.com

Specification

Interface	Input	HDMI 1.3	4×HDMI-A	
	Output	HDMI 1.3	1×HDMI-A	
		USB 3.0	1×USB-A	
	Audio	In	1×3.5mm audio jack	
		Out	1×3.5mm audio jack	
	Communication	LAN	1×RJ45	
Power	Type-C	1×USB-C		
Performance	Input Resolution	HDMI		
		SMPTE	720p@50/60 1080i@50 1080p@23.98/24.97/50/59.94/60	
		VESA	1024x768@60 1280x720@60 1280x768@60 1280x1024@60 1360x768@60 1366x768@60 1440x900@60 1600x1200@60 1680x1050@60 1920x1080@60	
	Output Resolution	HDMI		
		SMPTE	720p@50/60 1080p@24/25/30/50/60	
		VESA	1024×768@60 1280×720@50/60 1280×768@60 1280×1024@60 1360×768@60 1920×1080@24/25/30/50/60	
		USB H.265	1024×768@60 1280×1024@60 1360×768@60 1920×1080@30/50/60	
	Support Standards	HDMI	1.3	
		H.265	ITU-T H.265/ISO/IEC 23008-2	
		USB	3.0	
Ethernet		10/100/1000BaseT		
Color Space	YPbPr			
Grayscale Processing	10bit			
Video Sampling	YUV 4:2:2			
Latency	<4 frames			
Audio in Delay	Up to 8 frames			
Power	Input Voltage	PD 12V/1.5A		
	Max Power	18W		
Working Environment	Temperature	0℃~60℃		
	Humidity	10%~85% RH		
Physical	Weight	Net	0.5kg	
		Package	1.3kg	
	Dimension	Product	180mmx118mmx58mm	
		Package	255mmx145mmx85mm	

Tel: +86-592-5771197 Fax: +86-592-5788216 E-mail: sales@rgbblink.com

Headquarter: Room 601A, No. 37-3 Banshang community, Building 3, Xinke Plaza, Torch Hi-Tech Industrial Development Zone, Xiamen, China

Specifications are correct at time of printing and subject to change or alteration without notice!

