

MSP 331S

HDMI 2.0/12G SDI 4K60Hz Capture Card

Key Features

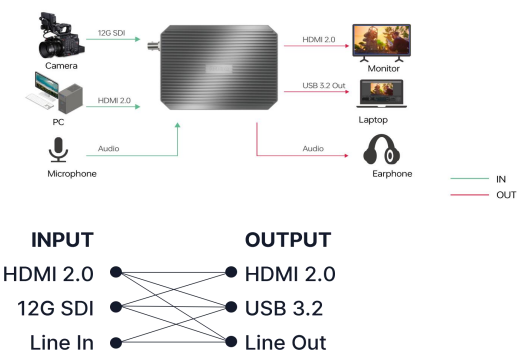


- HDMI 2.0 input support HDCP 2.3, backward compatible
- 1 × 12G SDI input support, downward compatible
- 12G SDI to HDMI2.0 conversion without delay or image quality loss
- HDMI input support up to RGB 4:4:4 8bit 4K@60Hz, backward compatible with 4K@50Hz, 4K@30Hz, 2K@240Hz
- USB 3.2 interface provides 5Gbps high bandwidth
- Compatible with OBS/Potplayer/VLC/Vmix/Xsplit/Microsoft Teams
- HDR to achieve better color performance and richer detail representation
- Mix for Line in and HDMI audio
- UVC 1.5 and UAC 1.0 standards, compatible with Windows, MacOS and Linux, plug and play
- Dynamic light pipe to display signal status in real time

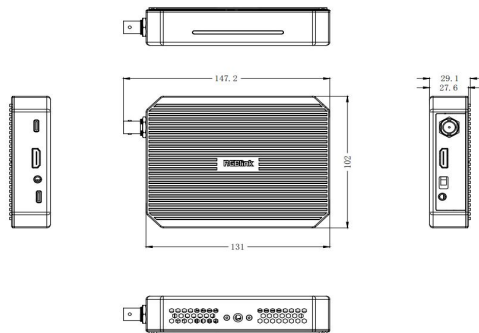
Specification

Connectors	Input	HDMI 2.0	1 × HDMI-A	
		12G SDI	1 × BNC	
	Output	HDMI 2.0	1 × HDMI-A	
	Capture	USB 3.2	1 × USB-C	
Audio	In	1 × 3.5mm Audio Jack		
	Out	1 × 3.5mm Audio Jack		
Performance	Input Resolution	HDMI 2.0	2160p@23.98/24/25/29.97/30/50/59.94/60 1080p@23.98/24/25/29.97/30/50/59.94/60 1080i@50/59.94/60 720p@50/59.94/60 480p@50 576p@59.94/60	
		SMPTTE	2160p@60/59.94/50/30/29.97/24/23.98 1440p@144/60 1080p@240/120/60 720p@60	
		VESA	4096 × 2160@60/59.94/50/30/29.97/24/23.98 3840 × 2160@60/59.94/50/30/29.97/24/23.98 2560 × 1440@144/60 2560 × 1080@60 1920 × 1080@240/120/60 1280 × 720@60	
		12G SDI		
		SMPTTE	2160p@23.98/24/25/29.97/30/50/59.94/60 1080p@23.98/24/25/29.97/30/50/59.94/60 1080i@50/59.94/60 720p@50/59.94/60 480p@50 576p@59.94/60	
		Output resolution	HDMI 2.0	2160p23.9 1080i50/59.94/60 720p50/59.94/60 480p50 576p59.94/60
	Video Capture Format	USB 3.2	1920 × 1080@60 1280 × 720@60	
		RGB24	1920 × 1080@60 1280 × 720@60	
		YUY2	3840 × 2160@30/25 2560 × 1440@60 2560 × 1080@60 1920 × 1080@60 1280 × 720@60	
		NV12	3840 × 2160@30 2560 × 1440@60 2560 × 1080@60 1920 × 1080@120/60 1280 × 720@60	
I420		3840 × 2160@30 2560 × 1440@60 2560 × 1080@60 1920 × 1080@120/60 1280 × 720@60		
P010		1920 × 1080@60 1280 × 720@60		
MJPEG		3840 × 2160@60 2560 × 1440@144/60 2560 × 1080@60 1920 × 1080@240/60 1280 × 720@60		
Color Space	8 bit RGB/YCbCr 4:2:2/4:4:4/4:2:0; 10 bit RGB/YCbCr 4:2:2			
Audio Bit Depth/Sample Rate	24bit (default) / 48KHz			
Supported Standards	HDMI	2.0		
	USB	3.2		
Power	Input Voltage	9V/1.5A		
	Max Power	15W		
Environment	Operation Temperature	0℃ ~ 70℃		
Physical	Net Weight	280g		
	Net Dimension	147.2mm × 102mm × 29.1mm		

Application



Dimension



Order Codes

Product Code	Item
601-0331-05-0	MSP 331S

Tel: +86-592-5771197 | Fax: +86-592-5788216 | E-mail: sales@rgblink.com

Headquarter: 6th Floor, No. 37-3 Banshang community, Building 3, Xinke Plaza, Torch Hi-Tech Industrial Development Zone, Xiamen, China

Specifications are correct at time of printing and subject to change or alteration without notice.

