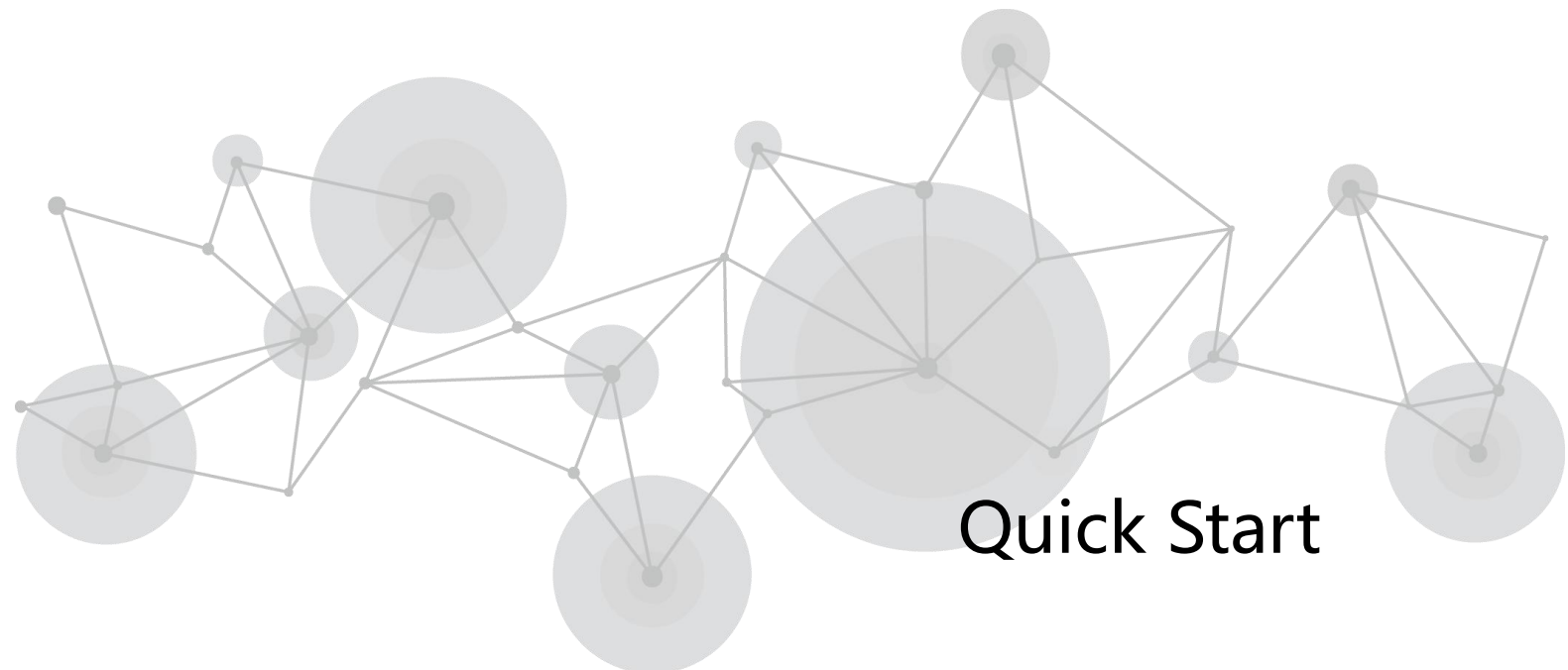
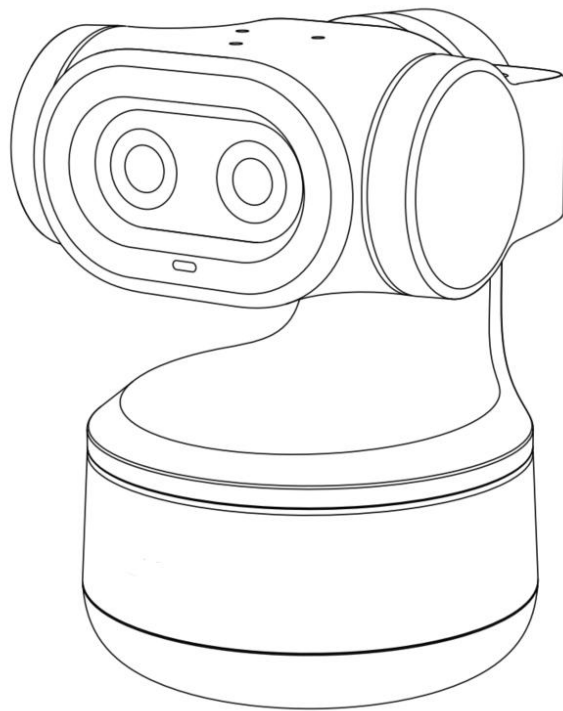


**RGBlink**

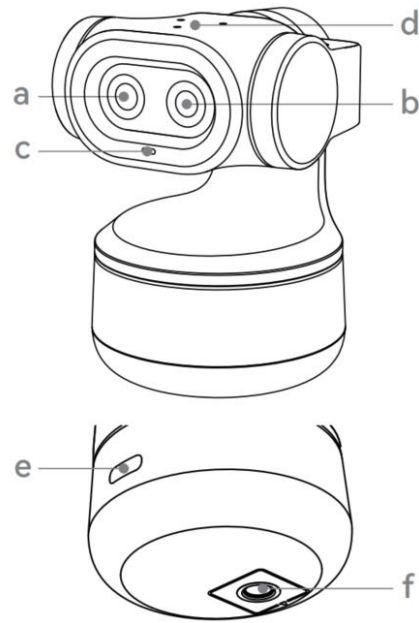
**tinyZ**



**Quick Start**

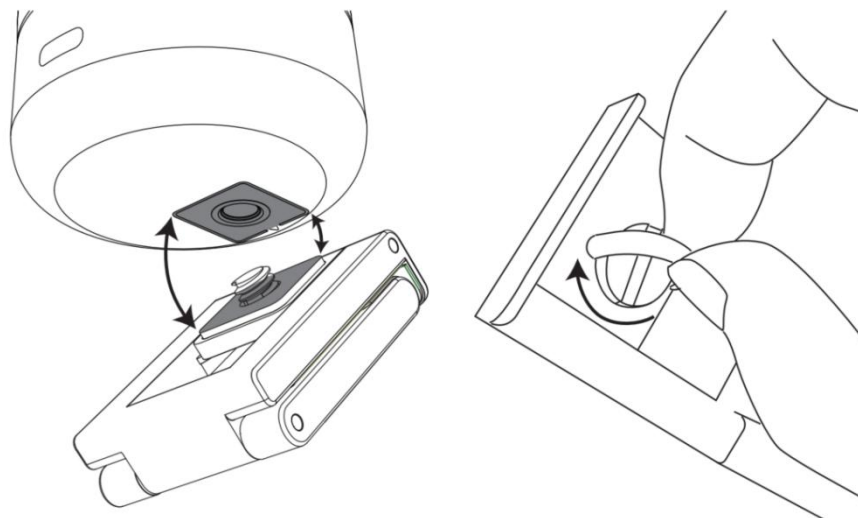
# Parts info

- a. 4K Ultra HD Imaging Camera
- b. AI-Assisted Camera
- c. Indicator Light
- d. 3-Microphone Array
- e. USB-C Port
- f. UNC 1/4-20 Threaded Hole



# Placement

Align the accessory bracket with the matching marks on the bottom of the tinyZ, secure it, then connect it to your computer to begin use.



# Setup

1. Connect the device to your computer using the included USB cable. For the best video quality, set the resolution to 3840×2160 in your computer settings.
2. Use OBS, Zoom, Microsoft Teams, Google Meet, or other compatible software to capture the video stream.

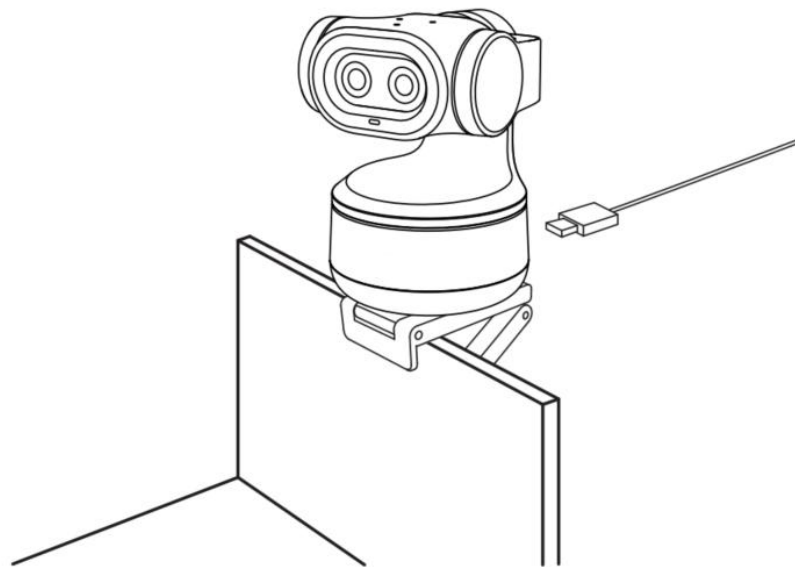


## Notes:

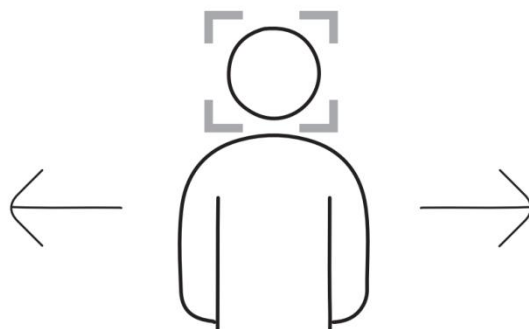
1. Extended use may cause the device to become warm—this is normal and not a malfunction.
2. To ensure compatibility, always use the included USB cable.

# Operation Mode

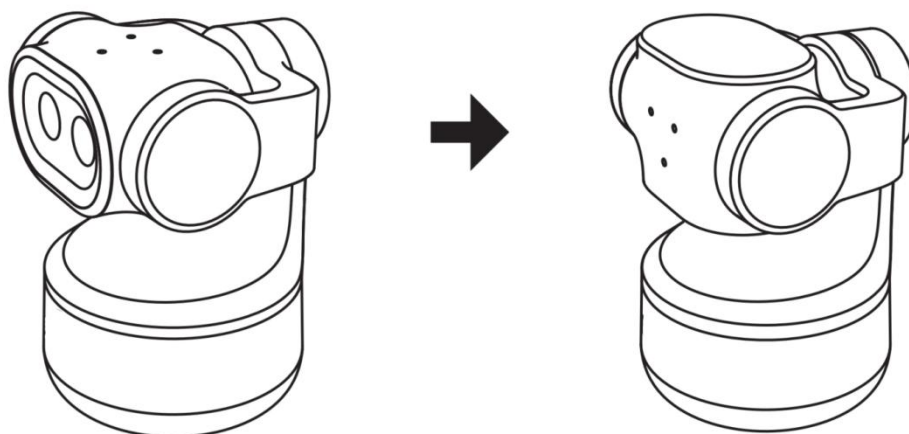
1. Standard Mode: Once the camera is activated, position it securely on top of your monitor for optimal use.



2. Tracking Mode: The camera will automatically follow human movement using gesture recognition technology.



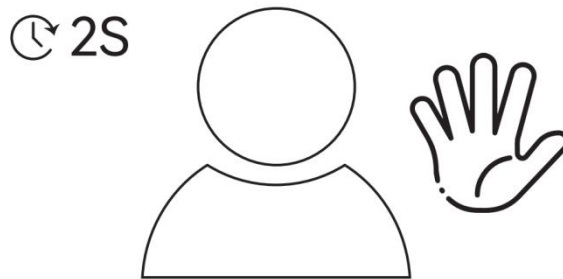
3. Privacy Mode: Manually rotate the gimbal downward until the indicator light turns off to activate privacy mode.



# Gesture Instructions

The gesture needs to be maintained for 2 seconds.

- a. On/Off Tracking: As shown in Figure a, perform gesture control. When the green indicator light flashes blue twice consecutively and then remains lit in blue, it indicates that the tracking mode has been successfully entered. Perform the same gesture operation in the tracking mode to exit the tracking mode, and the indicator light will turn solid green.

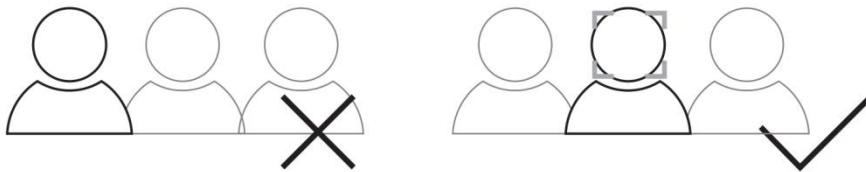


a.On/Off Tracking

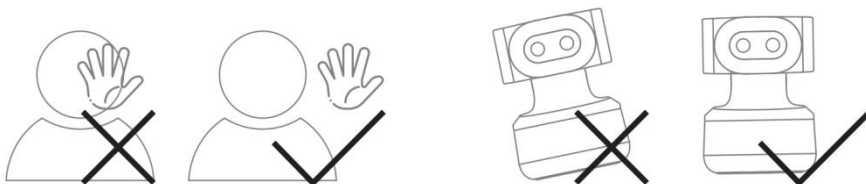


## Notes:

1. Please remain centered in frame.

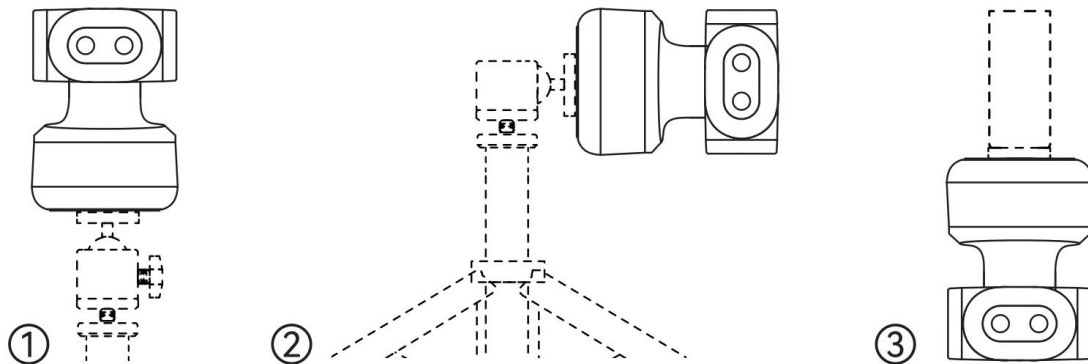


2. Avoid covering your face with hands during gestures.
3. Always position the camera upright. Do not tilt the device.



# Shooting Modes

1. **Landscape Mode:** Use the camera directly after installation.
2. **Portrait Mode:** Rotate the camera vertically with compatible accessories to switch to portrait mode.
3. **Ceiling Mount Mode:** Can be installed upside down—image orientation adjusts automatically.



# Indicator Light

Mode / Status	Indicator Light
Normal Mode	Steady Green Light
Gesture Recognition	Blue Light Flashes Twice
Tracking Status	Steady Blue Light
Target Lost	Steady Yellow Light
Privacy Mode	Lights Off
Device Upgrade	Steady Red Light
Device Malfunction	Flashing Red Light

# tinyZ



**Xiamen RGBlink Science & Technology Co Ltd.**

- **Tel:** +86-592-5771197
- **Fax:** +86-592-5788216
- **Customer Hotline:** 4008-592-315
- **Web:** <http://www.rgblink.com>
- **E-mail:** [support@rgblink.com](mailto:support@rgblink.com)
- **Headquarter:** 6<sup>th</sup> Floor, No. 37-3 Banshang community, Building 3, Xinke Plaza, Torch Hi-Tech Industrial Development Zone, Xiamen, China